

We deliver selected local parts to customers.

Excavator Buckets

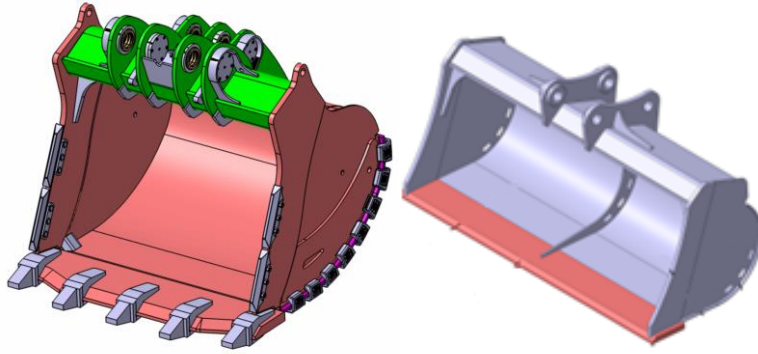
Reliable solutions

Used for a wide variety of excavators

For
ZX-3 to 6

Good
price

High
quality



Recommendable to the following customers:



Customers who look for high durable bucket and different applications for their machines



Customers who wants to replace old bucket with new one.

Key features

(1) Reliable local buckets

(2) Short Delivery Terms

(3) Attractive and competitive prices

(4) With/Without GET Options

Specifications

Applicable Machines	Part Name	Bucket Specs
Mini Excavators (1.7 to 8.5 tons)	HMEC Buckets	Refer to the table on the following page.
Mid-size Excavators (16 to 30 tons)		
Large-size Excavators (40 to 80 tons)		

Precaution | Before ordering bucket, please contact the authorized Hitachi dealer for details.
Information in this document is subject to change due to product improvement without notice.
The actual products may show variance with the illustrations shown here.



Hitachi Construction Machinery Middle East Corp. FZE

<https://www.hitachicm.ae/>

List of the excavator buckets

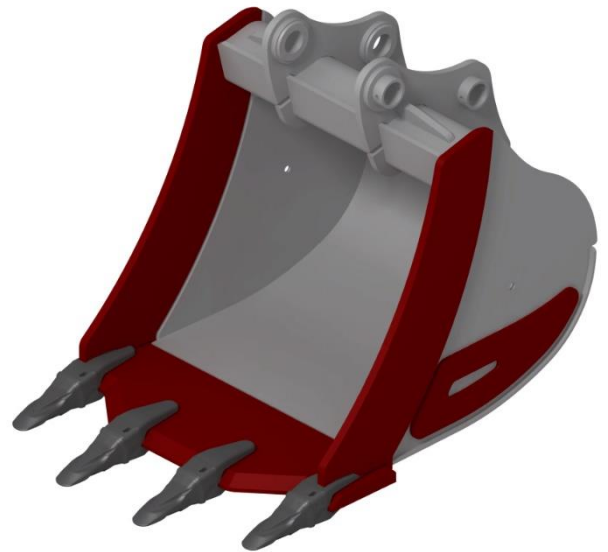
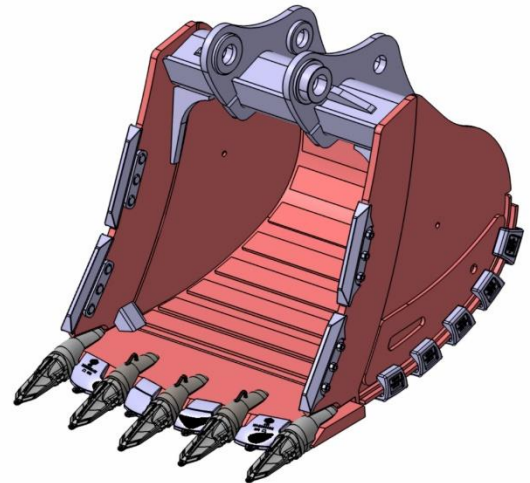
Reliable solutions

Mid – Large Size Excavators Buckets

Mini Excavator Buckets

No.	Applicable Models	Bucket Capacity [m3]	Bucket Type
1	ZX130	0.60	GP
2	ZX135US	0.60	GP
3	ZX160LC	0.70	GP
4	ZX210H	1.10	HD
5	ZX225USLC	1.10	HD
6	ZX250LCH	1.40	HD
7	ZX300LCH	1.60	HD
8	ZX300LCH	1.40	HD
9	ZX350LCH	2.00	HD
10	ZX350LCH	1.70	HD
11	ZX400LCH	2.20	HD
12	ZX490H	2.50	RB
13	ZX490LCH	3.00	RB
14	ZX530LCH	3.30	RB
15	ZX690LCH	5.00	HD
16	ZX890LCH	6.00	HD
17	ZX85USB	0.33	GP
18	ZX170W	0.70	GP
19	ZX190W	0.80	GP

No.	Applicable Models	Bucket Capacity [m3]	Bucket Type
1	ZX17U-5A	0.044	GP
2	ZX33U-5A	0.09	GP
3	ZX48U-5A	0.14	GP
4	ZX65USB-5A	0.24	GP



GP: General Purpose Bucket
 RB: Rock Bucket
 HD: Heavy Duty Bucket