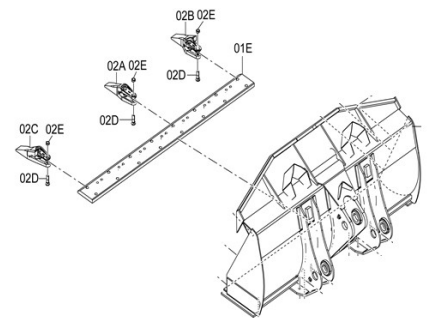


We deliver:

Wheel Loader Teeth

Used for a wide variety of wheel loaders

Reliable solutions



Key features of HMEC Wheel Loader Teeth:

- (1) Durability: Proven design
- (2) Price: Competitive with your local market
- (3) Availability: Ready to order from stock



Part No	Description	Machine Model	Quantity/Machine
5660051382EN	TOOTH;CENTER	ZW180/ZW220 ZW180-5A ZW220-5A	6
5660051482EN	TOOTH;RH		1
5660051492EN	TOOTH;LH		1
5670050661EN	BOLT		16
5660051351EN	NUT		16
5670050372EN	TOOTH;CENTER	ZW250/ZW310	6
5670050382EN	TOOTH;RH		1
5670050392EN	TOOTH;LH		1
5660051361EN	BOLT		16
5660051351EN	NUT		16
3680020340EN	TOOTH	ZW310-5A	6
3681520190EN	TOOTH,CORNER		1
3681520200EN	TOOTH,CORNER		1
4392520540EN	KIT BOLT		16
4392520550EN	KIT BOLT		6

Precaution Before ordering, please contact the authorized Hitachi dealer for details.
Information in this document is subject to change due to product improvement without notice.
The actual products may show variance with the illustrations shown here.



Hitachi Construction Machinery Middle East Corp. FZE

<https://www.hitachicm.ae/>